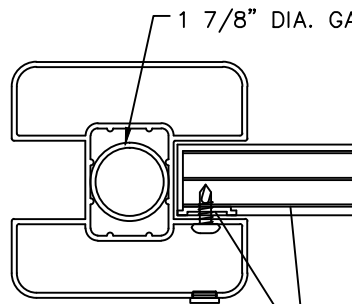
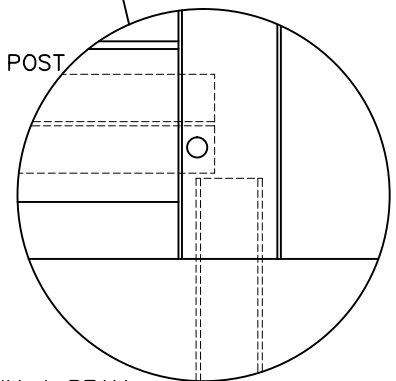


TOP MOUNTED
ON CONCRETE
OR WOOD



SECTION A-A



POUND INTO
GROUND

SPECIFICATIONS:

POSTS, RAILS:
& PICKETS VINYL .125 WALL

FINISH: PVC (POLY VINYL CHLORIDE)
MADE IN CANADA

POSTS: 140mm x 140mm(5.5"x 5.5") x 1.25mm WALL

POST CAPS: PYRAMID

PRIVACY PANEL: VINYL .125 WALL

STANDARD COLOURS:

WHITE AND CLAY

WARRANTY: 5 YEAR LIMITED

***NOTE:** FOR CLEAN AND SEAMLESS FINISH, NO FASTENERS ARE EXPOSED.

COMMENTS:

	<p>TITLE:</p> <h2 style="text-align: center;">VINYL FENCES STYLE SF-V1</h2>	<p>DRAWING No.</p> <h2 style="text-align: center;">SF-V1</h2>
---	---	---

CHK'D: DATE: OCT. 13/2020