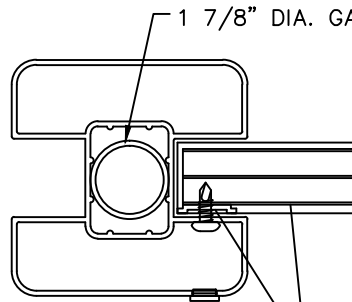
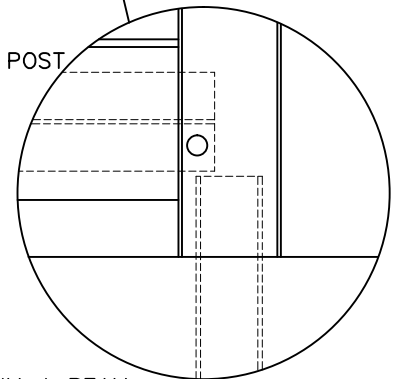


TOP MOUNTED
ON CONCRETE
OR WOOD



SECTION A-A



POUND INTO
GROUND

SPECIFICATIONS:

POSTS, RAILS:
& PICKETS VINYL .125 WALL

FINISH: PVC (POLY VINYL CHLORIDE)
MADE IN CANADA

POSTS: 140mm x 140mm(5.5"x 5.5") x 1.25mm WALL

POST CAPS: PYRAMID

PRIVACY PANEL: VINYL .125 WALL

STANDARD COLOURS:

WHITE AND CLAY

WARRANTY: 5 YEAR LIMITED

***NOTE:** FOR CLEAN AND SEAMLESS FINISH, NO FASTENERS ARE EXPOSED.

COMMENTS:

ARCHITECTURAL
FENCE & RAILINGS

TITLE:

**VINYL FENCES
STYLE SF-LV**

DRAWING No.

SF-LV

CHK'D:

DATE: OCT. 13/2020